
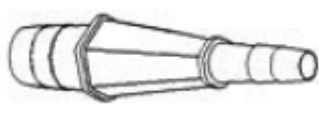






Gerade Konnectoren – steril
Straight connectors – sterile

HMT-No.:	Coated:	①	②
K3321	No	3/16"	3/16"
K3335	No	3/16"	1/4"
K3318	No	1/4"	1/4"
K3322	No	1/4"	3/8"
K3324	No	1/4"	1/2"
K3319	No	3/8"	3/8"
K3323	No	3/8"	1/2"
K3320	No	1/2"	1/2"
CKE3318	Yes	1/4"	1/4"
CKE3322	Yes	1/4"	3/8"
CKE3319	Yes	3/8"	3/8"
CKE3323	Yes	3/8"	1/2"






Gerade Konnectoren mit Luer Lock – steril
Straight connectors with luer lock – sterile

HMT-No.:	Coated:	①	②
K3329	No	3/16"	3/16"
K3336	No	3/16"	1/4"
K3326	No	1/4"	1/4"
K3330	No	1/4"	3/8"
K3334	No	1/4"	1/2"
K3327	No	3/8"	3/8"
K3331	No	3/8"	1/2"
K3328	No	1/2"	1/2"
CKE3326	Yes	1/4"	1/4"
CKE3330	Yes	1/4"	3/8"
CKE3327	Yes	3/8"	3/8"
CKE3328	Yes	1/2"	1/2"

Gerade Konnectoren – Luer Slip – Luer Lock – sterile
Straight connectors – Luer Slip – Luer Lock – sterile

HMT-No.:	Dimensions:	Luer slip	HMT-No.:	Dimensions:	Luer Lock
K3400	1/4" x Luer slip		K3402	1/4" x Luer Lock	
K3401	3/8" x Luer slip		K3403	3/8" x Luer Lock	



					Y-Konnektoren – steril Y-connectors – sterile
HMT-No.:	Coated:	①	②	③	
K3305	No	3/16"	3/16"	3/16"	
K3337	No	3/16"	3/16"	1/4"	
K3302	No	1/4"	1/4"	1/4"	
K3306	No	1/4"	1/4"	3/8"	
K3300	No	1/4"	3/8"	1/4"	
K3308	No	1/4"	3/8"	3/8"	
K3333	No	1/4"	3/8"	1/2"	
K3351	No	1/4"	1/2"	1/2"	
K3353	No	3/8"	3/8"	1/4"	
K3303	No	3/8"	3/8"	3/8"	
K3307	No	3/8"	3/8"	1/2"	
K3309	No	3/8"	1/2"	1/2"	
K3304	No	1/2"	1/2"	1/2"	
CKE3302	Yes	1/4"	1/4"	1/4"	
CKE3308	Yes	1/4"	3/8"	3/8"	
CKE3303	Yes	3/8"	3/8"	3/8"	
CKE3307	Yes	3/8"	3/8"	1/2"	
CKE3309	Yes	3/8"	1/2"	1/2"	

					Y-Konnektoren mit Luer Lock – steril Y-connectors with luer lock – sterile	
HMT-No.:	Coated:	①	②	③		
K3338	No	3/16"	3/16"	1/4"		
K3310	No	1/4"	1/4"	1/4"		
K3314	No	1/4"	1/4"	3/8"		
K3339	No	1/4"	3/8"	3/8"		
K3313	No	1/4"	3/8"	1/2"		
K3355	No	1/4"	1/2"	1/2"		
K3301	No	3/8"	3/8"	1/4"		
K3311	No	3/8"	3/8"	3/8"		
K3315	No	3/8"	3/8"	1/2"		
K3317	No	3/8"	1/2"	1/2"		
K3312	No	1/2"	1/2"	1/2"		
CKE3310	Yes	1/4"	1/4"	1/4"		
CKE3339	Yes	1/4"	3/8"	3/8"		
CKE3311	Yes	3/8"	3/8"	3/8"		

Technische Spezifikationen: <i>Technical Specifications:</i>	
Material: <i>Material:</i>	Polycarbonate
Art der Sterilisation: <i>Type of sterilization:</i>	EO gas
Beschichtung: <i>Coating:</i>	Phosphorylcholin (keine Heparinbeschichtung) <i>Phosphorylcholine (no heparin coating)</i>
Anzahl Stk. je VPE: <i>Quantity per PU:</i>	25 Stk. / pcs.
Verpackung je VPE: <i>Packaging per PU:</i>	steril, einzeln <i>sterile, single-packed</i>
Kartonart: <i>box type:</i>	Spenderkarton <i>dispenser box</i>
Haltbarkeit: <i>Shelf life:</i>	typischerweise maximal 3 Jahre unbeschichtet / 2 Jahre beschichtet <i>typically maximum 3 years non-coated / 3 years coated</i>

Die aufgeführten Artikel sind Lagerartikel und typischerweise innerhalb von 3 Werktagen versandbereit.

Preise auf Anfrage.

Bitte richten Sie Ihre Anfrage an vertrieb@hmt-ffb.de

The items listed are typically in stock and ready for dispatch within 3 working days.

Prices on request.

Please send your enquiry to vertrieb@hmt-ffb.de